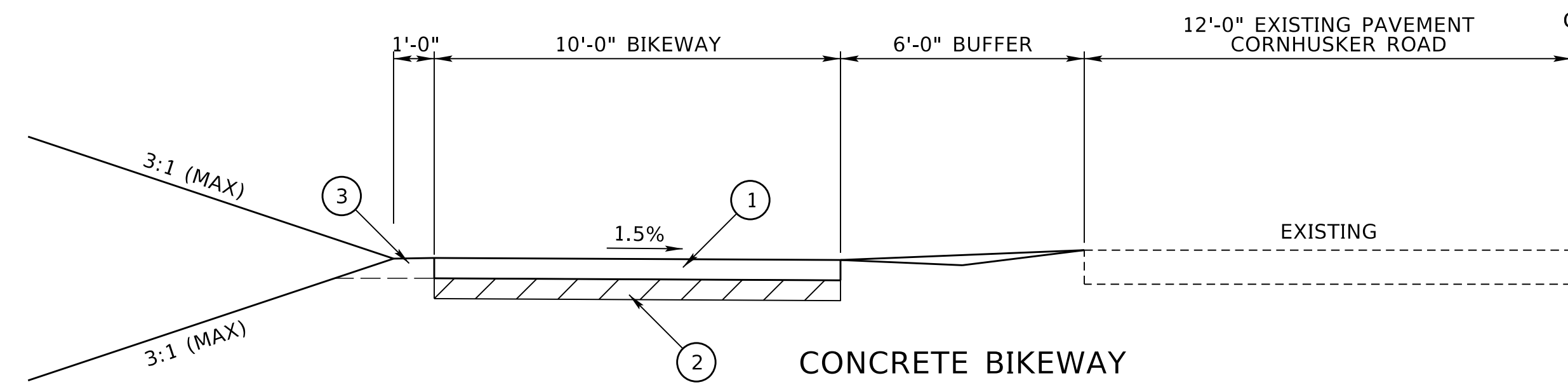


LEGEND

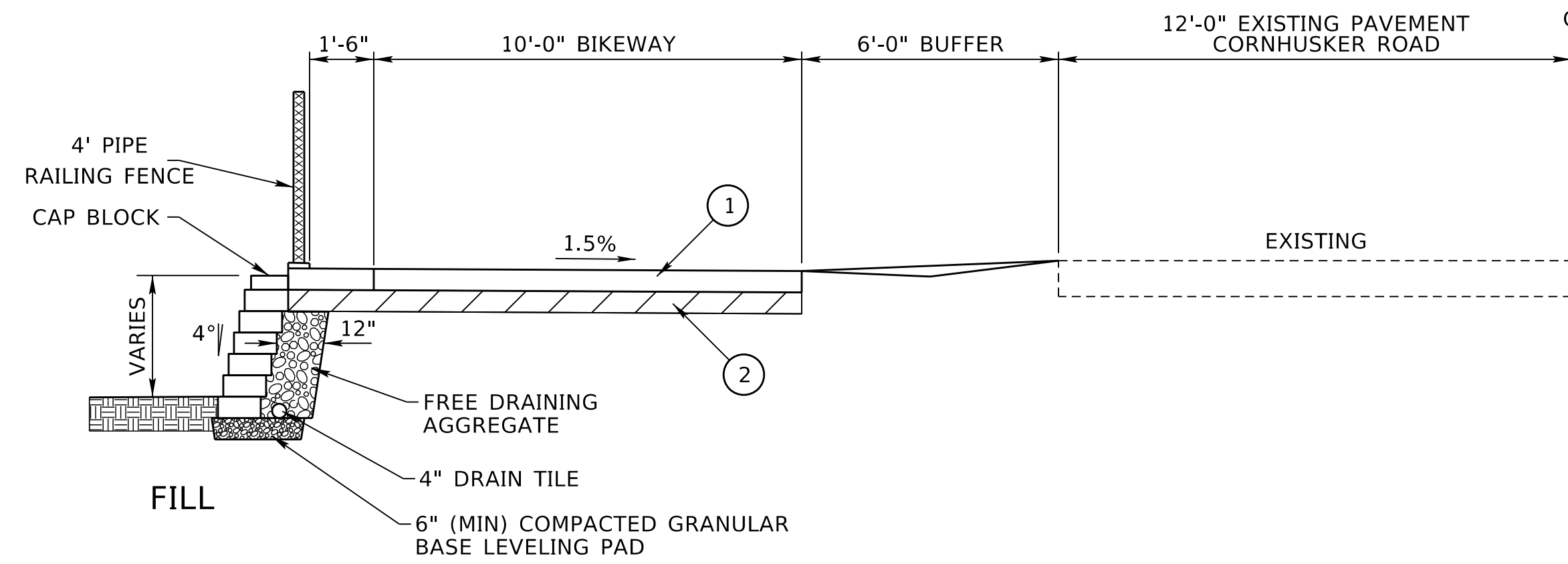
- ① 6" CONCRETE BIKEWAY
- ② SUBGRADE PREPARATION
- ③ EARTH SHOULDER CONSTRUCTION
- ④ SURFACING UNDER GUARDRAIL



CONCRETE BIKEWAY

STATION TO STATION

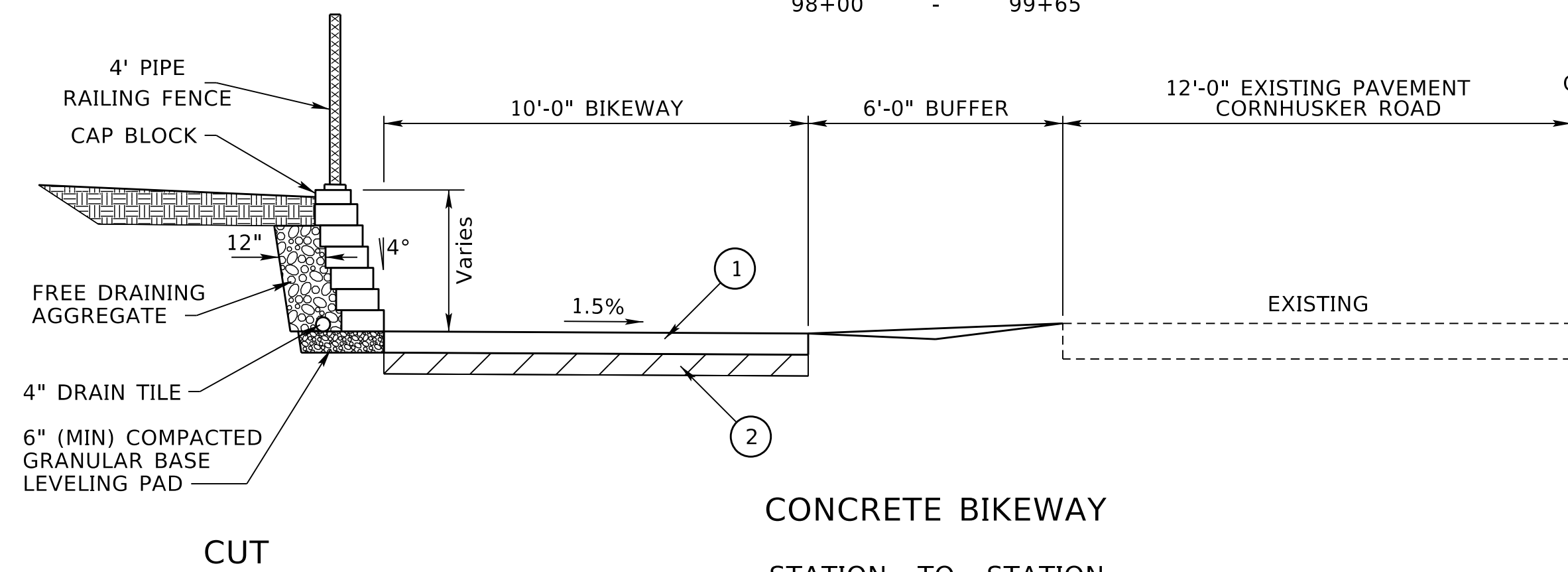
24+00	-	27+65
29+30	-	31+83
35+00	-	37+30
38+35	-	48+73
53+00	-	76+89
82+19	-	84+42
86+99	-	98+00
99+65	-	101+90
103+00	-	112+76



CONCRETE BIKEWAY

STATION TO STATION

27+65	-	28+60
31+83	-	35+00
48+73	-	49+50
52+00	-	53+00
76+89	-	77+57
84+42	-	86+99
98+00	-	99+65



CONCRETE BIKEWAY

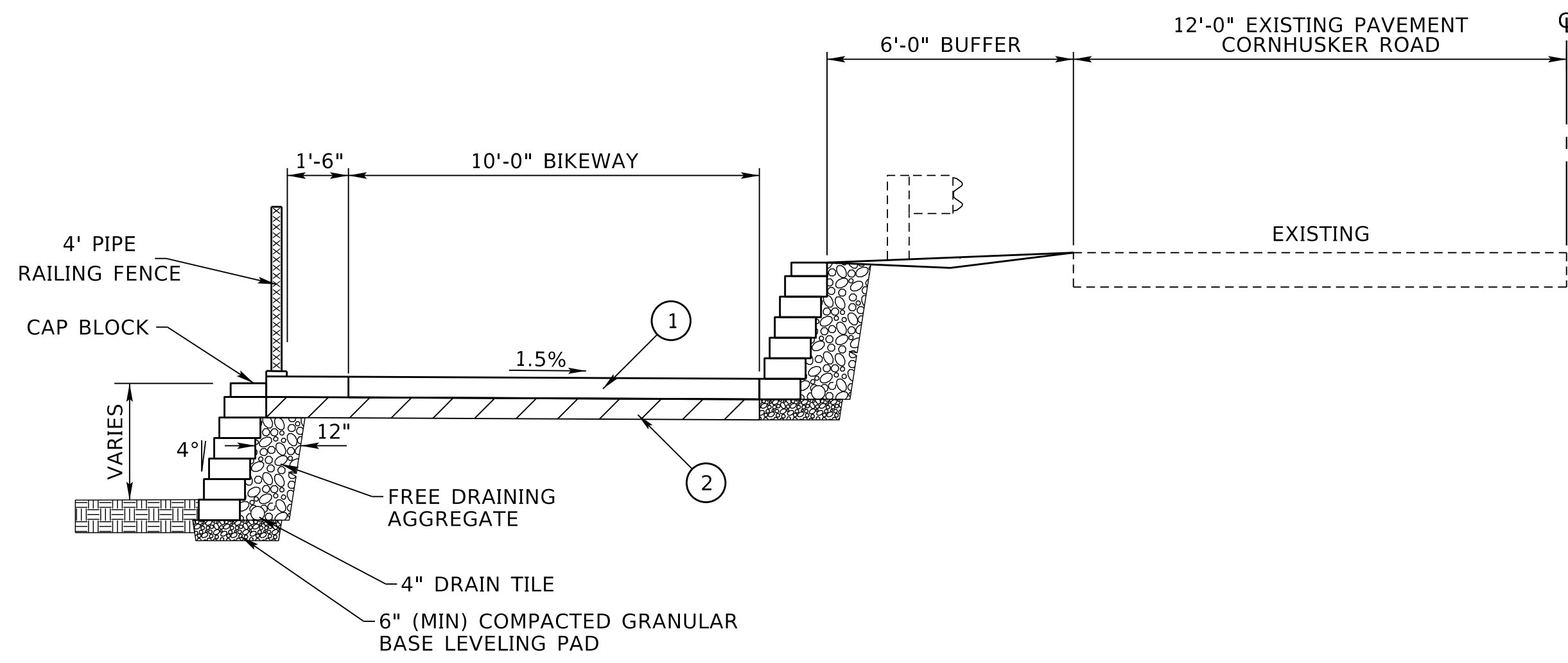
STATION TO STATION

28+60	-	29+30
37+30	-	38+35
101+90	-	102+90

COMPUTER: WEDM:21161

DATE: 21-MAR-2025 15:59

FILE: 22862 Sheets Typical Cross Sections.dgn



CONCRETE BIKEWAY

STATION TO STATION	
49+50	- 52+00
77+57	- 82+19

LEGEND

- ① 6" CONCRETE BIKEWAY
- ② SUBGRADE PREPARATION
- ③ EARTH SHOULDER CONSTRUCTION
- ④ SURFACING UNDER GUARDRAIL

B2

Project Number  
TAP-77(64)

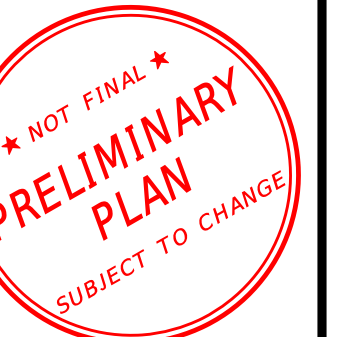
C.N. 22862

GRETNA TO  
WEHRSPANN LAKE  
TRAIL

TYPICAL CROSS SECTIONS

NEBRASKA  
Good Life. Great Journey.  
DEPARTMENT OF TRANSPORTATION

Roadway Design Division  
1500 Nebraska Parkway  
Lincoln, NE 68502  
Office: 402-479-4601



BENESCH  
 16910 MARCY ST. SUITE 102  
 OMAHA, NEBRASKA 68118  
 Office: 402-333-5792  
 Nebraska C.O.A. #CA-2195



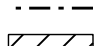
E1

Project Number  
 TAP-77(64)

C.N. 22862

GRETNA TO  
 WEHRSPANN LAKE  
 TRAIL

LEGEND

-  LIMITS OF CONSTRUCTION
-  WETLANDS - DO NOT DISTURB - IMPACTED WETLANDS
-  TEMPORARY IMPACTED WETLANDS



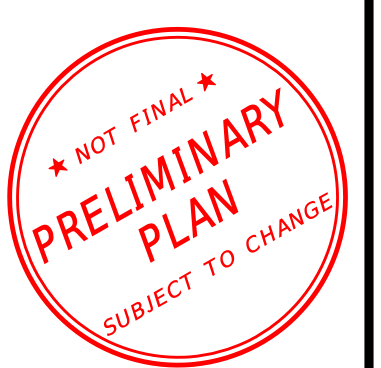
WETLAND IMPACTS				
SITE	STATION	TYPE	PERMANENT (ACRES)	
1	41+40 - 41+85	PEMA/C	0.015	
2	97+58 - 97+60	PEMA/C	0.001	
3	98+11 - 98+17	PEMA/C	0.001	

FILE: 22862 Sheets Aerial.dgn  
 DATE: 28-MAR-2025 08:22  
 COMPUTER: NEOM-21161

ENVIRONMENTAL PLANS

**NEBRASKA**  
 Good Life. Great Journey.  
 DEPARTMENT OF TRANSPORTATION

Roadway Design Division  
 1500 Nebraska Parkway  
 Lincoln, NE 68502  
 Office: 402-479-4601



BENESCH  
16910 MARCY ST. SUITE 102  
OMAHA, NEBRASKA 68118  
Office: 402-333-5792  
Nebraska C.O.A. #CA-2195

E2

Project Number  
TAP-77(64)

C.N. 22862

GRETNA TO  
WEHRSPANN LAKE  
TRAIL

LEGEND  
LIMITS OF  
CONSTRUCTION

- WETLANDS - DO NOT DISTURB - IMPACTED WETLANDS
- TEMPORARY IMPACTED WETLANDS



COMPUTER: NEOM-21161

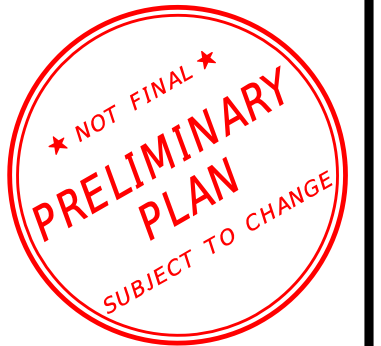
DATE: 28-MAR-2025 08:22

FILE: 22862 Sheets Aerial.dgn

ENVIRONMENTAL PLANS

NEBRASKA  
Good Life. Great Journey.  
DEPARTMENT OF TRANSPORTATION

Roadway Design Division  
1500 Nebraska Parkway  
Lincoln, NE 68502  
Office: 402-479-4601



BENESCH  
16910 MARCY ST. SUITE 102  
OMAHA, NEBRASKA 68118  
Office: 402-333-5792  
Nebraska C.O.A. #CA-2195

E3

Project Number  
TAP-77(64)

C.N. 22862

GRETNA TO  
WEHRSPANN LAKE  
TRAIL

LEGEND  
LIMITS OF  
CONSTRUCTION

- WETLANDS - DO NOT DISTURB - IMPACTED WETLANDS
- TEMPORARY IMPACTED WETLANDS



ENVIRONMENTAL PLANS

NEBRASKA  
Good Life. Great Journey.  
DEPARTMENT OF TRANSPORTATION

Roadway Design Division  
1500 Nebraska Parkway  
Lincoln, NE 68502  
Office: 402-479-4601



COMPUTER: NEOM-21161

DATE: 28-MAR-2025 08:22

FILE: 22862 Sheets Aerial.dgn

BENESCH  
16910 MARCY ST. SUITE 102  
OMAHA, NEBRASKA 68118  
Office: 402-333-5792  
Nebraska C.O.A. #CA-2195

E4

Project Number  
TAP-77(64)

C.N. 22862

GRETNA TO  
WEHRSPANN LAKE  
TRAIL

- LEGEND
- LIMITS OF CONSTRUCTION
  - WETLANDS - DO NOT DISTURB - IMPACTED WETLANDS
  - TEMPORARY IMPACTED WETLANDS



ENVIRONMENTAL PLANS

NEBRASKA  
Good Life. Great Journey.  
DEPARTMENT OF TRANSPORTATION

Roadway Design Division  
1500 Nebraska Parkway  
Lincoln, NE 68502  
Office: 402-479-4601



FILE: 22862 Sheets Aerial.dgn  
DATE: 28-MAR-2025 08:22  
COMPUTER: NEOM-21161

BENESCH  
16910 MARCY ST. SUITE 102  
OMAHA, NEBRASKA 68118  
Office: 402-333-5792  
Nebraska C.O.A. #CA-2195

E5

Project Number  
TAP-77(64)

C.N. 22862

GRETNA TO  
WEHRSPANN LAKE  
TRAIL

LEGEND  
LIMITS OF  
CONSTRUCTION

- WETLANDS - DO NOT DISTURB - IMPACTED WETLANDS
- TEMPORARY IMPACTED WETLANDS



COMPUTER: NEOM:21161

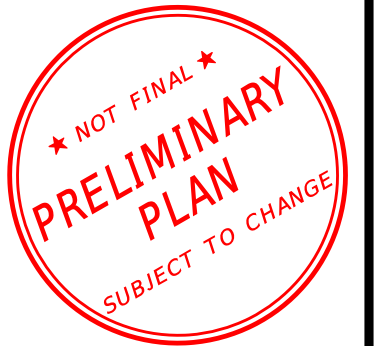
DATE: 28-MAR-2025 08:22

FILE: 22862 Sheets Aerial.dgn

ENVIRONMENTAL PLANS

NEBRASKA  
Good Life. Great Journey.  
DEPARTMENT OF TRANSPORTATION

Roadway Design Division  
1500 Nebraska Parkway  
Lincoln, NE 68502  
Office: 402-479-4601



BENESCH  
16910 MARCY ST. SUITE 102  
OMAHA, NEBRASKA 68118  
Office: 402-333-5792  
Nebraska C.O.A. #CA-2195

E6

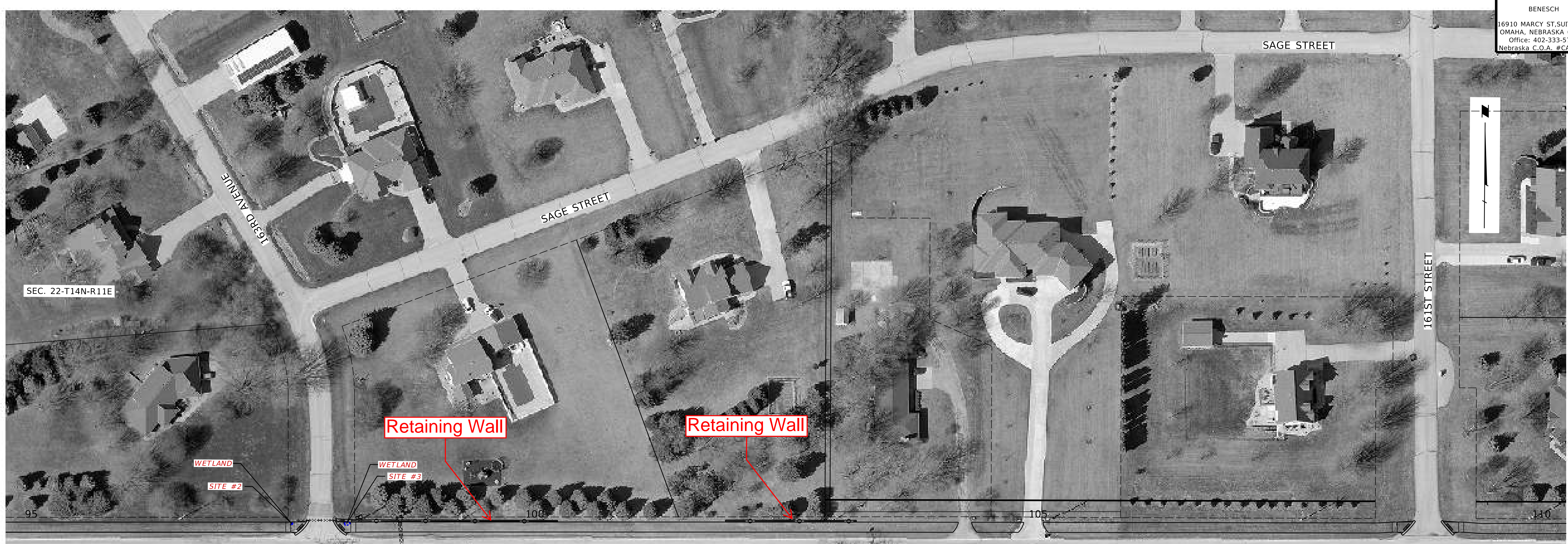
Project Number  
TAP-77(64)

C.N. 22862

GRETNA TO  
WEHRSPANN LAKE  
TRAIL

LEGEND  
LIMITS OF  
CONSTRUCTION

- WETLANDS - DO NOT DISTURB - IMPACTED WETLANDS
- TEMPORARY IMPACTED WETLANDS



ENVIRONMENTAL PLANS

NEBRASKA  
Good Life. Great Journey.  
DEPARTMENT OF TRANSPORTATION

Roadway Design Division  
1500 Nebraska Parkway  
Lincoln, NE 68502  
Office: 402-479-4601



COMPUTER: NEOM-21161

DATE: 28-MAR-2025 08:22

FILE: 22862 Sheets Aerial.dgn



BENESCH  
16910 MARCY ST. SUITE 102  
OMAHA, NEBRASKA 68118  
Office: 402-333-5792  
Nebraska C.O.A. #CA-2195

E7

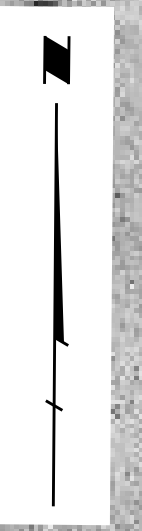
Project Number  
TAP-77(64)

C.N. 22862

GRETNA TO  
WEHRSPANN LAKE  
TRAIL

LEGEND  
LIMITS OF  
CONSTRUCTION

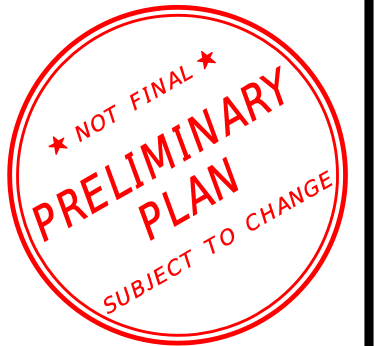
- WETLANDS - DO NOT DISTURB - IMPACTED WETLANDS
- TEMPORARY IMPACTED WETLANDS



ENVIRONMENTAL PLANS

NEBRASKA  
Good Life. Great Journey.  
DEPARTMENT OF TRANSPORTATION

Roadway Design Division  
1500 Nebraska Parkway  
Lincoln, NE 68502  
Office: 402-479-4601



FILE: 22862 Sheets Aerial.dgn DATE: 28-MAR-2025 08:22 COMPUTER: NEOM-21161